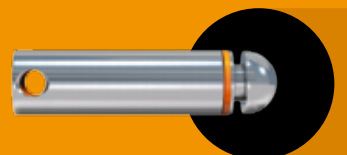




Intelligent laptop & iPad management for education

ASSA ABLOY, the global leader
in door opening solutions

traka.com/lockers



Innovative management solutions from Traka

We are the leading worldwide specialist in intelligent access management and our systems are in use 24/7 in many sophisticated and demanding environments. Our reputation for innovation in technology has been recognised by the fact that we have won the Queen's Award for Enterprise on three separate occasions. By applying this knowledge and expertise, we have developed a specifically-designed access management solution for our education sector clients.

"We had a concept in mind when we were creating our ICT strategy. Traka more than fulfilled this with its managed laptop locker and software solution. Instantly I'm able to account for all resource laptops right across the school at just the click of the mouse."

Mark Szczyrba – ICT Administrator,
Abraham Guest School, Wigan

Intelligent laptop and iPad lockers

Our intelligent lockers enable you to maintain total control, by determining who can access your valuable assets - such as laptops, iPads and PDAs - and when.

Features overview

- Centrally managed and controlled by our sophisticated software, enabling you to allocate equipment to specific students at specific times
- Unique RFID solution allows each asset to be individually tagged, enabling you to know whether it has been returned to the correct locker at the agreed time
- Gives you the ability to audit who is currently using the equipment, who used it previously and when it was returned – making every student fully accountable for the equipment they use
- Easy to administer, with full reporting facilities
- Can be integrated with cashless catering, e-registration and access control systems



Extension units can be added to expand the system.

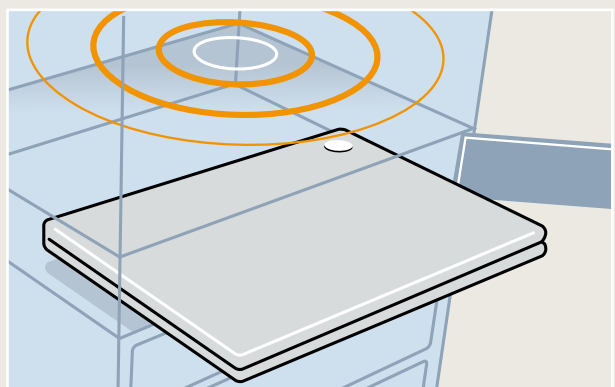




A range of advanced features offering control, convenience and ease of use.

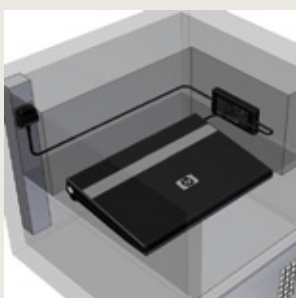
Unique RFID monitoring solution

Every laptop or iPad can be RFID tagged, so that each one is uniquely identified and individually accounted for. Using the Traka software, you immediately know if a device is in its locker – and with real-time monitoring, you can instantly identify precisely when an item is taken or returned, and more importantly, by whom.



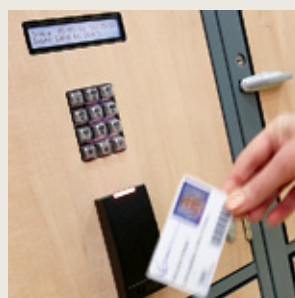
Safe integrated charging

Our laptop and iPad lockers have integrated charging facilities with a double-earthed power source, which is securely built in behind an isolated wall and is also static protected. This enables students to simply plug a low voltage power lead into the laptop upon its return so that it will always be charged, ready for the next user.



Biometrics, Smart card or PIN code access

These fast yet secure access options offer enhanced security and mean that students never need to carry keys.



Intelligent personal lockers

Traka's personal locker solutions use the same access management and reporting software as our intelligent laptop lockers, but are designed to securely house students' personal belongings. There is also the option to incorporate secure laptop charging facilities.

Features overview

- Can be pre-allocated to specific students for a designated period of time - for example a term or a year, or can be allocated on demand for shorter periods of time
- A sophisticated software-managed access solution with full audit and reporting capabilities
- Includes segregated laptop compartment within the locker to ensure that laptops are protected at all times
- Offers an optional isolated and protected charging facility
- Integrates with cashless catering, e-registration and access control software to facilitate easy administration
- Allows multiple systems to be located throughout the campus, to deliver a scalable solution that grows with your needs
- Includes 'forced entry' alarms, full battery back-up and emergency override facility



These lockers have a strong and robust construction to ensure that student belongings, including laptops, remain safe and secure. They can also be individually designed to suit your environment and your requirements, including:

- Size and shape
- Door colours and finishes
- Flat or sloping roofs
- Biometrics or Smart card access

All configurations of Traka's intelligent personal lockers can be specified with an integrated laptop charging facility.



Centralised management and control

All of Traka's intelligent access management solutions are managed by our powerful software. This can be run from a single PC, or across the network, and provides a full range of management and reporting functionality.

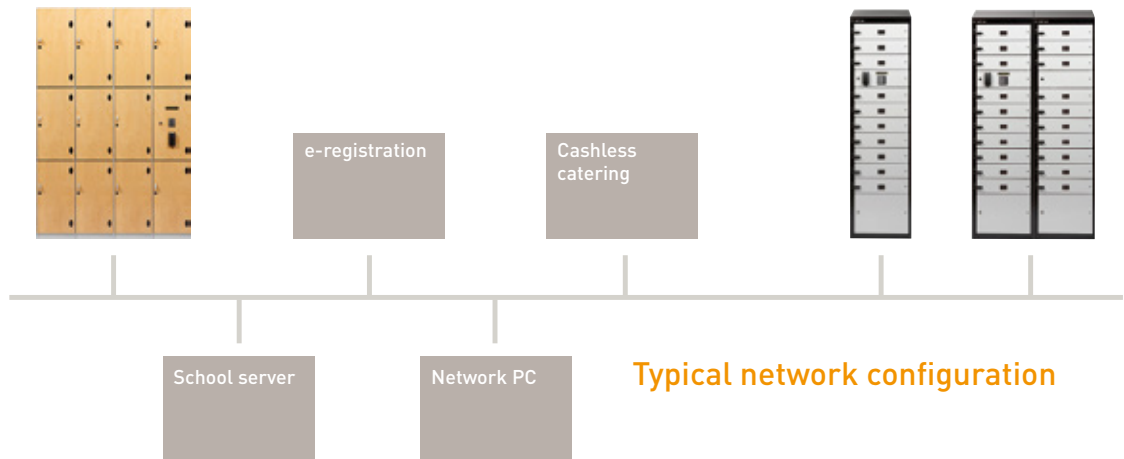
Features overview

- Control access to lockers by adding, deleting or suspending students
- Pre-assign locker access to a particular student for a period of time, such as a term or a year
- Fully audit user activity, to identify when a laptop is taken or returned and by whom
- Integrates with the RFID tagging system to confirm when tagged items have been removed or replaced
- Auto-allocate lockers based on criteria such as 'last in, last out', for example to ensure laptops are fully charged before re-use
- Set a 'return by' time and initiate an alert if this deadline is missed
- Monitor utilisation levels of assets
- Enable students to alert IT staff to faulty or broken laptops by entering a fault code via the control panel
- Prevent faulty items from being reissued, and track the repair process



Reporting

Traka's powerful reporting functionality enables both standard and custom management reports to be created easily – for example to identify most and least-used assets, or students with a history of returning items late or broken.



Traka software functions

	PIN	Smart card	Biometrics	RFID monitoring	Configure at locker	Manual override	Battery backup	PC administration	Auto allocate	Pre-book	Central control	Curfew	Fault reporting	Remote release	System Integration	Full reports
Laptop and iPad lockers	●	○	○	○	●	●	●	●	●	●	●	●	●	●	●	●
Personal lockers	●	○	○		●	●	●	●	●	●	●	●	●	●	●	●
Simple lockers	●	○		●	●	●		●								
	Access			Locker control			Software management									

● Standard ○ Option



Simple storage solutions

Traka's unique locker systems can also be offered as a simple 'standalone' solution, to provide secure, self-managed storage. This option is ideal for situations where temporary storage is required, often in a multi-user environment where there are a large number of users needing short term storage. These systems have been designed to suit flexible use, for example by students during the day and by the public in the evening.

Features overview

- PIN code or Smart card access
- Automatic allocation of the next free locker
- No requirement for pre-programming or assignment
- Easy configuration and administration from the access control panel
- Fast auto-opening of locker doors by the administrator
- Full battery back-up and emergency override facility
- Size, shape and finish to suit your requirements
- Optional integrated charging facilities

With no network connection or software support needed, these lockers can be easily installed anywhere.





Additional services

Key Management

As an extension to our electronic locker systems, we can also integrate intelligent Traka key cabinets into an overall solution and manage these via the same software. The Traka key management system allows you to control access to critical keys for everything from minibuses and secure offices, through to COSHH cabinets and IT server rooms. This enables you to issue keys to authorised staff only and also ensures that they are returned when specified – without the need for your caretaker, or whoever holds the majority of your important keys, having to be available at all times in case a particular key is required.

Traka offers a range of key cabinets including the Traka Touch – intelligent key management accessed via a touch screen interface.

Project planning, installation and support

In addition to designing and manufacturing intelligent access management systems, we also offer a complete installation and support service. Your dedicated project manager will:

- Work with you to plan the installation and agree the best locations for the equipment
- Discuss the software installation with your IT department
- Provide training for the administrators who will manage the system

Your lockers will be installed by our team of highly experienced engineers. Once you have signed off the installation, your project manager will support you for the first few weeks and introduce you to our helpdesk team, who will be only too pleased to assist you with day to day support. Traka systems are provided with a full 12 month warranty, and after this you can opt to take out a comprehensive maintenance plan.





Who we are

Traka is the leading worldwide specialist in key, equipment and asset management solutions, with over 50% of its annual turnover coming from international trade. Our systems are in use 24/7 in many sophisticated and demanding environments, from prisons, police forces and hospitals through to educational establishments and commercial operations.

We always work with our clients to understand their individual organisations and to develop solutions which meet their specific needs. In fact, it's estimated that Traka systems control access to over £10 billion worth of assets worldwide, including many schools, academies and prestigious Universities.

As a forward-thinking business, we're always one step ahead when it comes to developing new and innovative access management solutions. We also have a reputation for innovation in technology design, as recognised by the fact that we have won the Queen's Award for Enterprise on three separate occasions.

traka.com

traka
ASSA ABLOY

Traka plc
30 Stilebrook Road, Olney,
Buckinghamshire
MK46 5EA United Kingdom
+44 1234 712345

Traka USA
448 Commerce Way,
Suite 100, Longwood
FL 32750 USA
+1 407 681 4001

ASSA ABLOY is the global leader in door opening solutions, dedicated to satisfying end-user needs for security, safety and convenience



An ASSA ABLOY Group brand